

FAIRFIELD™ ELONGATED ONE-PIECE TOILET WITH SEAT
VITREOUS CHINA

FAIRFIELD ELONGATED ONE-PIECE TOILET WITH SEAT

2862.056

- Vitreous china
- Low-consumption (6.0 Lpf/1.6 gpf)
- Low-profile, one-piece toilet
- Elongated siphon action bowl
- High volume 3" flush valve
- Pilot fill valve
- Includes color-matched solid plastic seat and cover
- 2" Fully-glazed trapway
- Polished chrome, side mounted actuator
- Two color-matched bolt hole covers

Nominal Dimensions:

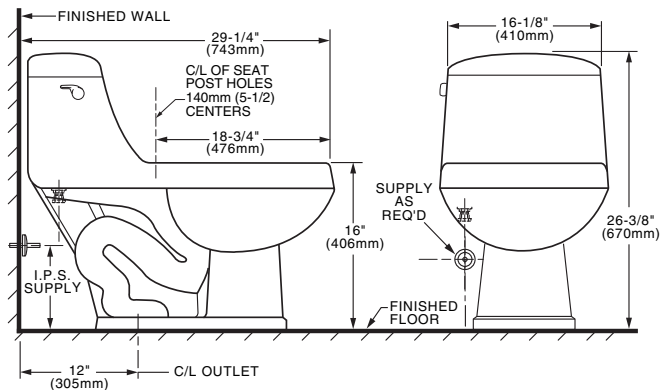
743 x 400 x 670mm
 (29-1/4" x 16-1/8" x 26-3/8")

Fixture only, supply by others

Compliance Certifications -

Meets or Exceeds the Following Specifications:

- ASME A112.19.2M for Vitreous China Fixtures - includes Flush Performance, Ball Pass Diameter, Trap Seal Depth and all Dimensions
- cUPC Certified



To Be Specified:

- Color:
 - White
- Supply with Stop:

NOTES:

THIS TOILET IS DESIGNED TO ROUGH-IN AT A MINIMUM DIMENSION OF 305MM (12") FROM FINISHED WALL TO C/L OF OUTLET. SUPPLY NOT INCLUDED WITH FIXTURE AND MUST BE ORDERED SEPARATELY.
 * DIMENSION SHOWN FOR LOCATION OF SUPPLY IS SUGGESTED.

IMPORTANT: Dimensions of fixtures are nominal and may vary within the range of tolerance established by ANSI Standard A112.19.2. These measurements are subject to change or cancellation. No responsibility is assumed for use of superseded or voided pages.